

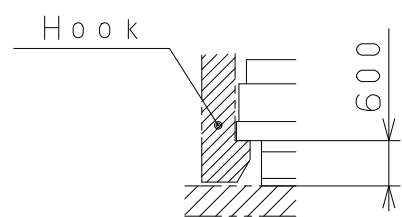
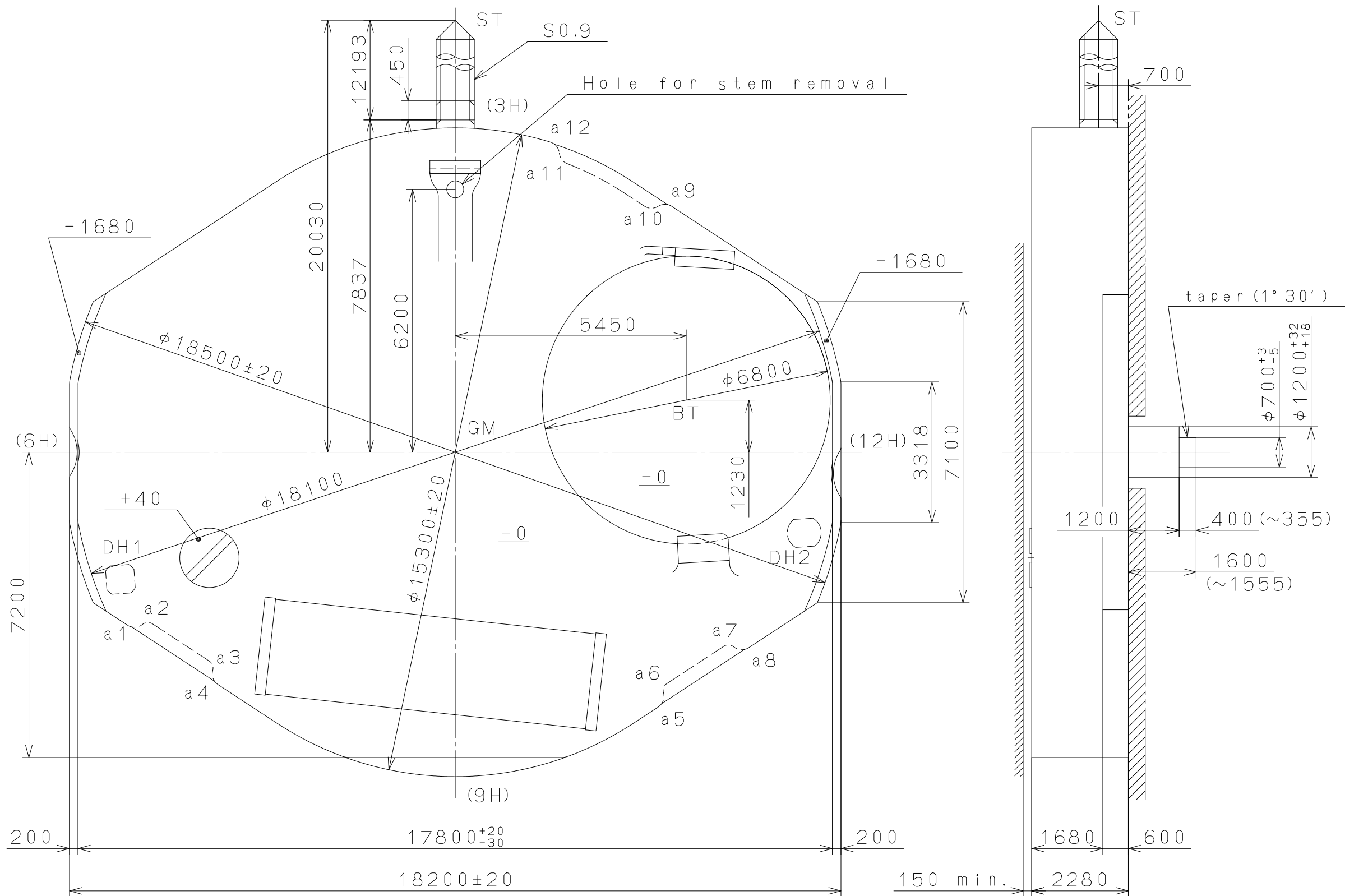
CONFIDENTIAL 2013/06/17 (14:01:58)

This drawing is provisional and subject to our reconfirmation and/or revision without notice.

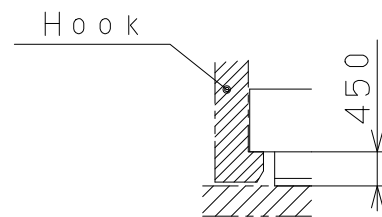
DH1~DH2=16171 (±20)

Coordinates

Mark	X	Y	R
GM	0	0	—
DH1	-7900	-3000	—
DH2	8234	-1900	—
a1	-7569	-3828	300
a2	-7252	-4215	200
a3	-5914	-5092	200
a4	-5433	-5228	300
a5	4625	-5757	300
a6	5106	-5621	200
a7	6444	-4745	200
a8	6761	-4358	300
a9	4947	5546	300
a10	4628	6054	300
a11	2754	7083	300
a12	2157	7026	300



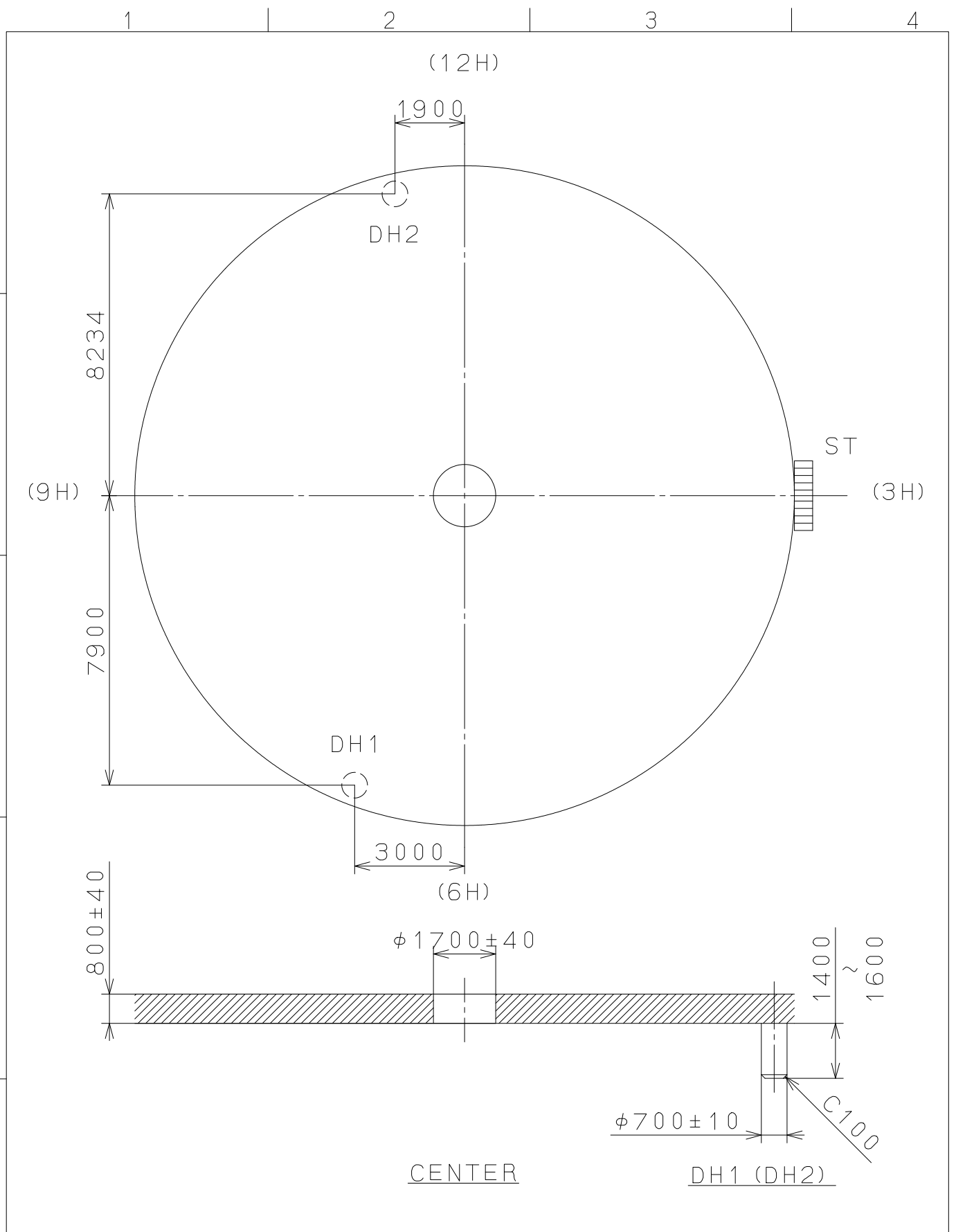
Section a1~a4, a5~a8



Section a9~a12

△5			Quantity		Cal. NO.:
△4			Unit	1/1000mm	GL26
△3			Scale	10:1	Parts No.:
△2			Date		
△1			Drawn		
Mark	Date	Description	Appr.	Checked	N. Suzuki
Alterations				Approved	Name:
				Frame for Case	
Material				Drawing No.: GL26C000	
Heat Treatment				General Tolerances	
Hardness				Dimensions	
Plating				Angles	
MIYOTA					
CITIZEN WATCH CO., LTD. TOKYO, JAPAN					

This drawing is provisional and subject to our reconfirmation and/or revision without notice.



△			Quantity		Cal.NO.:
△			Unit	1 / 1000 mm	GL26-S0A
△			Scale	7 : 1	Parts No.:
△			Date		
△			Drawn		
Mark	Date	Description	Appr.	Checked	Name:
		Alterations	Approved	N. Suzuki	Indications for Dial
Material					Drawing No.: GL26D0AS
Heat Treatment			General Tolerances	MIYOTA CITIZEN WATCH CO., LTD. TOKYO, JAPAN	
Hardness			Dimensions		
Plating			Angles		